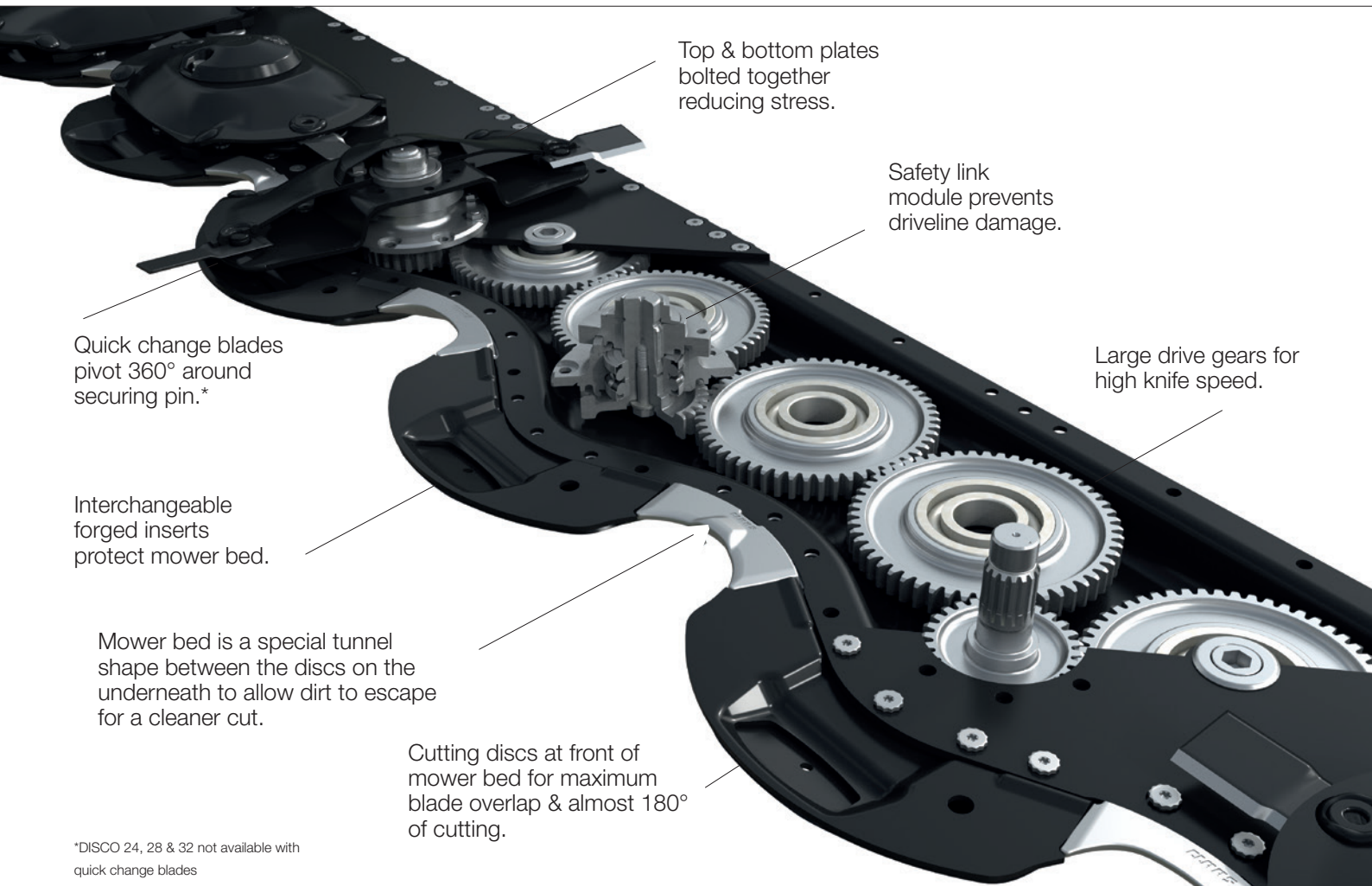


Cutting edge technology

The award winning CLAAS MAXCUT mower bed



Top & bottom plates bolted together reducing stress.

Safety link module prevents driveline damage.

Quick change blades pivot 360° around securing pin.*

Large drive gears for high knife speed.

Interchangeable forged inserts protect mower bed.

Mower bed is a special tunnel shape between the discs on the underneath to allow dirt to escape for a cleaner cut.

Cutting discs at front of mower bed for maximum blade overlap & almost 180° of cutting.

*DISCO 24, 28 & 32 not available with quick change blades



The CLAAS MAXCUT mower bed is fitted to all CLAAS DISCO mowers, from 2.2 to 10.7m working width. Quality is not expensive, it's priceless.

Contact EASTERN for more information.

EASTERN Brigg
01652 651810

EASTERN Markham Moor
01777 838888

EASTERN Sleaford
01529 303093

EASTERN Wilberfoss
01759 388811

EASTERN Catfoss
01964 545300

EASTERN Sinderby
01845 567407

EASTERN Ulceby Cross
01507 462288

www.claas-eastern.co.uk
facebook.com/CLAASEastern

CLAAS EASTERN

CLAAS

