



ABBEY
MACHINERY

since 1947

**STRENGTH
SIMPLICITY**

**DESIGNED AND
MANUFACTURED
BY ABBEY**



**TRUSTED BY
GENERATIONS**

**VERTICAL MIXER
FEEDER RANGE**

ABBEY MACHINERY LTD., WELL ROAD, NENAGH, CO. TIPPERARY, IRELAND
PHONE 067 31278 | FAX 067 33229 | INFO@ABBEYMACHINERY.COM
WWW.ABBEYMACHINERY.COM



THE VERTICAL FEEDER MIXER RANGE

The VF range incorporates many outstanding qualities; strength, simplicity, reliability, and its ability to handle precision chop silage, large round or square bales of silage, hay and straw, roots, which can be chopped to required dimension. Additional feed products such as maize, meal etc can be added at any stage of the mixing process.

It's superior mixing ability and even distribution results in a top class feed. All machines are constructed to handle the difficult conditions which are only found in Northern Europe.

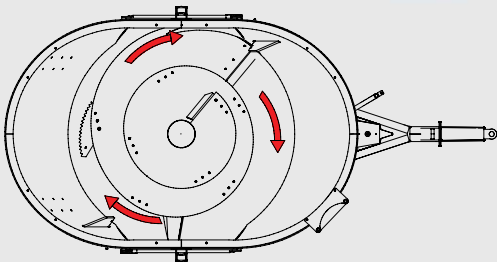
RELIABILITY AND CONSISTENCY

TWIN TUB

Abbey manufacture their twin vertical feeder range using the highest grades of materials available. The twin tub fitted with two robust augers optimise the chopping and mixing action with a single drive line through two planetary units, giving an extremely low horse power requirement. A specially shaped mixing chamber ensures a continuous blend of various forages. Distribution points are optional from front to rear and right to left covering all feeding circumstances.



MIXING AUGER



The specially shaped mixing Auger and tub ensures a perfect blend of all ingredients, after which the mixed feed is discharged evenly and well proportioned, whereby the feed flow rate is controlled by the hydraulically operated discharge door. The 15mm heavy duty auger, complete with hard wearing replaceable serrated knives, ensuring a fast and comprehensive blending of all ingredients. Retractable counter blades hold the material in position, reducing chopping time and wear of the heavy duty 8mm barrel.

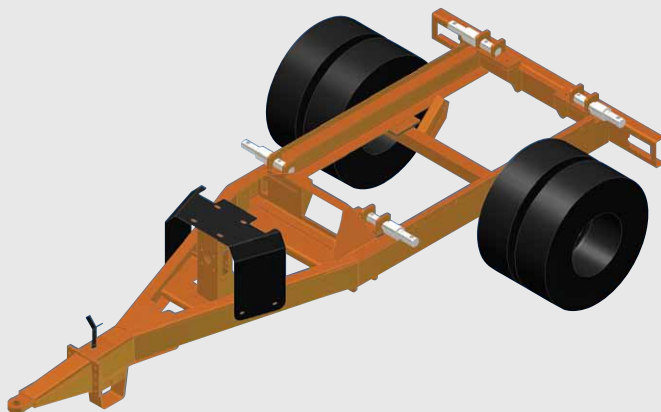
SINGLE TUB

The Abbey single auger vertical mixers available from 7m³ to 14m³ with its unique rolled body design and the position and profile of the augers allow for fast and efficient blending of all feed ingredients.

All single auger vertical mixers are available with a range of feedout options.



EFFICIENT



INDEPENDANT CHASSIS

The fitting of an independent heavy duty chassis facilitates the fitting of a 4 point weighing system, which greatly increases stability, this applies to all our feeder models not just the larger twin tubs allowing for more accurate weighing of ingredients while also providing the optimum strength in transport and loading of fodder.

THE DIGI-STAR WEIGHING SYSTEM

The most important part of any feed ration is consistency. All Abbey Vertical 4-Point weigh system. This Digi-Star system is proven to handle the harsh wet and cold conditions, frequently found in Northern Europe. For example, gold plated contacts are used in the system to give good conductivity and long life. Operation of the system only requires the indicator clock to be switched on. The zero point is then obtained with the push of a button, allowing loading of the feeder to start immediately. Even the least experienced person can easily become familiar with the system.

A push of the help button on the indicator clock at any stage will guide the user on what to do next and thoroughly explain each stage to program the diets.



SOM GEARBOX

Abbey use the renowned heavy duty industrial SOM gearbox. Its specifically designed mixing auger mounting system allows Abbey to power their mixing auger at the optimum level, whilst also preventing foreign objects from entering the auger drive line area, ensuring a long life and trouble free performance.



COUNTER BLADES

All of our machines are equipped with two of our unique, extra long, adjustable counter blades which greatly reduces processing times. Hydraulic adjustment is an option.



CUTTING BLADES

The Abbey vertical machines use long serrated blades which are mounted on 15mm backing plates to provide optimum support during loading especially with whole round bales, whilst also providing excellent support while mixing.



SIDE DOOR OPTION

This allows the feed to be discharged to both the right and left either simultaneously or individually. Side discharge elevators can be fitted to feed into troughs or bunkers.



FLEXIBILITY

FRONT DOOR OPTION

This machine is fitted with a variable speed cross conveyor which allows for the distribution of feed to either the left or right hand side of the machine. In the FD cross conveyor there are two options available a chain and slat fixed cross conveyor or a PVC sliding cross conveyor option. This option gives the farmer the unique benefits of being able to feed into deep bunkers, over through walls and onto the floor clear of the machine being able to slide out to either the right hand side or the left hand side of the machine.



REAR DOOR OPTIONS

The Abbey rear door mixers are designed to deliver feed in the narrowest of feeding passages. This machine has the ability to feed inside its own width, fitted with twin doors a rear door option model can feed both sides simultaneously or each side individually. All Abbey feed out option optimise the wide opening discharge doors which allow for an even distribution of fibrous materials.

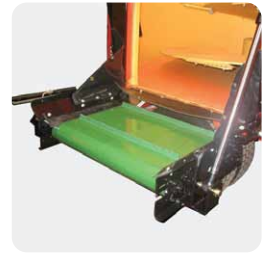


DISCHARGE CONVEYORS



Hydraulic discharge conveyor can be fitted to side door model vertical feeders to allow one to feed into Bunkers.

Discharge conveyors are available in a standard length with additional lengths optional. The hydraulic discharge conveyor is available as standard with chain and slat with PVC belt optional.



OVER FLOW RING

Particularly in cases of high dry-matter fodder there is a risk of the fodder being thrown over the container edge during the mixing process. This can be avoided by means of an over flow ring being fitted to the top of the barrel. This is optional on all machines.

ROOT KNIVES

Additions vertical auger knives fitted to the mixing auger allow for the swift chopping of both beet or potatoes.



STEERING BOGIE

This tandem axel self steering bogie, available on larger tandem Twin Tubs to help increase the machines manoeuvrability.

HINGE TRAYS

Hinge Trays allow material to be dropped directly onto the floor or at varying heights by simple chain adjustment. Hydraulic option also available.



VERTICAL FEEDER MIXER RANGE SPECIFICATIONS

ABBEY Feeder Specs	Capacity	Overall Width	Overall Length	Overall Height 2010	Discharge Height	NEW Model Type	Tub base to ground	Sliding PVC Reach each Std side	Overall Height 2006
	m3	m	m	m	m	Paddle/Tub	m	m	m
TUB FEEDERS									
VF700 single SD	7	2.21	3.90	2.54	0.68	T	0.85		
VF700 RD	7	2.10	3.90	2.54	0.68	T	0.85		
VF800 DD	8	2.23	4.58	2.52	0.45	T	0.85		2.46
VF800 SD	8	2.48	4.58	2.52	0.68	T	0.85		2.46
VF1000	10	2.23	5.03	2.72	0.68	T	0.87		2.86
SUPER MODEL									
VF1050SD	10	2.48	4.67	2.79	0.72	T	0.83		2.79
VF1050RD	10	2.23	4.67	2.79	0.72	T	0.83		2.79
VF1050FD single speed	10	2.32	5.24	2.92	0.78	T	0.83		2.79
VF1050FD Sliding PVC	10	2.32	5.24	2.92	0.70	T	0.96	0.45	
VF1250SD	12	2.68	4.69	2.79	0.72	T	0.83		2.79
VF1250RD	12	2.48	4.95	2.79	0.72	T	0.83		2.79
VF1250FD single speed	12	2.32	5.52	2.92	0.78	T			2.79
VF1250FD Sliding PVC	12	2.32	5.52	2.92	0.70	T	0.96	0.35	
VF1450SD	14	2.88	5.05	2.80	0.72	T	0.83		2.80
VF1450SD narrow version	14	2.68	5.05	3.10	0.72	T	0.83		2.80
VF1450FD Sliding PVC	14	2.52	5.52	2.92	0.70	T	0.96	0.25	
TWIN MODEL									
VF TWIN1500 SD	15	2.51	6.30	2.50	0.72	T	0.83		
VF TWIN1500 SD	15	2.51	6.30	2.65	0.85	T	1.00		
VF1500FD Sliding PVC	15	2.32	7.00	2.92	0.70	T	0.96	0.45	
VF TWIN1650 SD	16	2.51	6.76	2.82	0.80	T	0.96		2.78
VF TWIN1650 SD tandem 30.5 11.5 x 14.5	16	2.51	6.76	2.83	0.80	T	0.96		2.78
VF TWIN1850 SD	18	2.51	6.83	2.98	0.80	T	0.96		2.98
VF TWIN1850 FD sliding tandem 235/75 x17.5	18	2.51	6.83	2.85	0.80	T	0.96		2.98
VF TWIN1850 FD sliding tandem	18	2.32	6.83	2.96	0.80	T	0.96		2.98
VF TWIN1850 FD Sliding PVC	18	2.32	6.83	3.11	0.83	T	0.96	0.45	
VF TWIN2050 SD	20	2.51	6.88	3.18	0.80	T	0.96		3.18
VF TWIN2250	22	2.68	7.08	3.04	0.90	T	0.96		3.04
VF TWIN2250 FD Sliding PVC	22	2.32	7.98	3.17	0.83	T	1.09	0.35	
VF TWIN2450	24	2.68	7.08	3.20	0.90	T	0.96		
VF TWIN2650	26	2.68	7.20	3.38	0.90	T	0.96		
VF TWIN2850	28	2.89	7.36	3.31	0.90	T	0.96		
VF TWIN2850FD sliding PVC	28	2.52	8.16	3.44	0.83	T	1.09	0.25	

WHY AN ABBEY TUB FEEDER?



Results on many farms down through the years have shown the consistent nature of operating the Abbey diet feeder.

Consistency is important:

- in chopping the ingredients you want (big bales)
- in chopping the cost effective fodder you need (beet)
- in blending the mix you want,
- in the herd you produce,
- in being able to accurately observe and control your animal's diets.
- in working the feeder when you want it,
- in keeping maintenance costs low, because of the robust design of the feeder.
- in being able to adapt the quantities of various ingredients to provide the animal with a balanced feed.
- in blending the mix you want whilst preserving the feed structure.
- by providing a more aerated mix to ensure optimum ingestion.



ABBEY
MACHINERY
since 1947

PHONE +353 67 31278 | FAX +353 67 33229 | INFO@ABBEYMACHINERY.COM
WWW.ABBEYMACHINERY.COM

