



The **Abbey Premium Recess Tanker** comes complete with hinged back door, internal baffling, a weight sensing sprung drawbar, commercial axle, full length chassis with an inserted axle dramatically lowering the tankers centre of gravity down in line with stepped axles. Sizes range from 2000 - 3000 gallons.

The **Abbey Overhead Boom Arm** can transfer slurry to field Tankers fitted with hydraulic top fill hatches. This unit can rotate up to 270° making it possible to unload either at the right hand side or left hand side of the Tanker.

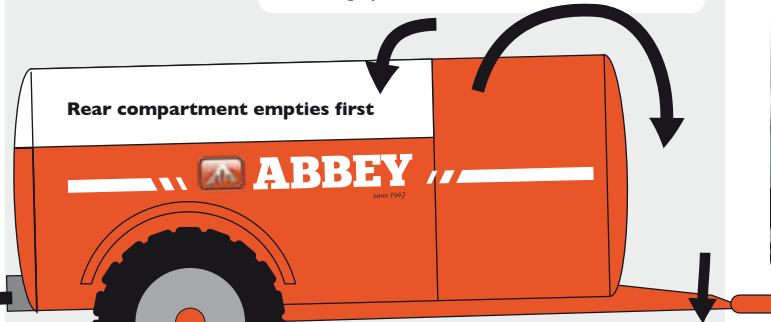


Optional Turbo Filler available in 6" & 8" will reduce fill times by up to 35%.



**Optional Weight Management System** with two separate compartments giving additional weight to the tractor while spreading.

Front compartment slurry weight provides better grip at the tractor wheels



As the tanker is spreading the rear compartment is forced to empty first retaining the slurry in the front compartment keeping the weight needed on the tractor until it is ready to automatically discharge during spreading.

Abbey also offer a full range of **Applicators, Shallow Injectors, Trailing Shoes, Trailing Pipes and Band Spreaders.** Please see separate brochure.



The **Abbey Self Fill System** is available as an option in either a side mounted arm or a centre-mounted bi-directional arm. The Abbey Self Fill unit requires just one double acting valve enabling the complete operation to be carried out from inside the cab. The Self Fill Systems are available with either over or underground pods.



All **Abbey Galvanised Tankers** undergo a multi-stage hot dip galvanising process. Painted Tankers undergo a four stage painting process including baking in our state of the art oven facility.

Tankers undergo a four stage painting process including baking in our state of the art oven facility.



**Optional Rear Tanker Linkage** for Trailing Shoe/Injector/Bandspreader.

**Optional Full Electric Controls** can be supplied with any application.



## ABBEY TANKER RANGE SPECIFICATIONS

| Model                         | Approx Capacity<br>m3 | Overall Width<br>mm | Approx. Overall Height<br>mm<br>(18" Hook) | Overall Length<br>mm | Pump Capacity<br>L/mm | Standard Hose Length<br>m | Sprung Drawbar | Unladen Weight<br>kg |
|-------------------------------|-----------------------|---------------------|--|----------------------|-----------------------|---------------------------|----------------|----------------------|
| <b>STANDARD RANGE</b>         |                       |                     |  |                      |                       |                           |                |                      |
| 900                           | 4086                  | 2230                | 2480                                       | 5100                 | 9000                  | 4.58                      | N/A            | 1500                 |
| 1100                          | 4994                  | 2230                | 2500                                       | 5400                 | 9000                  | 4.58                      | N/A            | 1600                 |
| 1300                          | 5902                  | 2500                | 2810                                       | 5400                 | 9000                  | 4.58                      | N/A            | 2100                 |
| 1600                          | 7264                  | 2530                | 2870                                       | 6200                 | 9000                  | 4.58                      | Optional       | 2400                 |
| 2000                          | 9080                  | 2530                | 3130                                       | 6200                 | 9000                  | 4.58                      | Optional       | 2600                 |
| <b>ECO RECESSED RANGE</b>     |                       |                     |  |                      |                       |                           |                |                      |
| 1600                          | 7264                  | 2490                | 2940                                       | 6200                 | 9000                  | 4.58                      | Standard       | 2610                 |
| 2000                          | 9080                  | 2490                | 3240                                       | 6200                 | 9000                  | 4.58                      | Standard       | 3240                 |
| <b>PREMIUM RECESSED RANGE</b> |                       |                     |  |                      |                       |                           |                |                      |
| 1600R                         | 7264                  | 2490                | 2980                                       | 6200                 | 9000                  | 4.58                      | Standard       | 2810                 |
| 2000R                         | 9080                  | 2490                | 3200                                       | 6200                 | 9000                  | 6.10                      | Standard       | 3440                 |
| 2250R                         | 10215                 | 2490                | 3200                                       | 6660                 | 9000                  | 6.10                      | Standard       | 3700                 |
| 2500R                         | 11350                 | 2490                | 3300                                       | 6660                 | 9000                  | 6.10                      | Standard       | 4000                 |
| 3000R                         | 13620                 | 2490                | 3300                                       | 7500                 | 9000                  | 6.10                      | Standard       | 4680                 |
| <b>OPEN TOP RANGE</b>         |                       |                     |  |                      |                       |                           |                |                      |
| 1100                          | 4994                  | 2230                | 2527                                       | 5000                 | N/A                   | N/A                       | N/A            | 1500                 |
| 1300                          | 5902                  | 2490                | 2650                                       | 5000                 | N/A                   | N/A                       | N/A            | 2000                 |
| 1600                          | 7264                  | 2530                | 2650                                       | 5600                 | N/A                   | N/A                       | N/A            | 2300                 |
| 2000                          | 9080                  | 2530                | 2870                                       | 5600                 | N/A                   | N/A                       | N/A            | 2500                 |
| 2250R                         | 10215                 | 2490                | 3150                                       | 6000                 | N/A                   | N/A                       | Standard       | 3700                 |
| <b>TANDEM RANGE</b>           |                       |                     |  |                      |                       |                           |                |                      |
| 2000T                         | 9080                  | 2530                | 3130                                       | 6300                 | 9000                  | 6.10                      | Optional       | 3450                 |
| 2500T                         | 10215                 | 2530                | 3150                                       | 7165                 | 11000                 | 6.10                      | Optional       | 4800                 |
| 3000T                         | 13620                 | 2530                | 3260                                       | 7500                 | 11000                 | 6.10                      | Optional       | 5000                 |
| 3500T                         | 15890                 | 2530                | 3360                                       | 7500                 | 11000                 | 6.10                      | Optional       | 5400                 |
| 4000T                         | 18160                 | 2530                | 3430                                       | 8390                 | 11000                 | 6.10                      | Optional       | 5700                 |
| <b>TANDEM RECESSED RANGE</b>  |                       |                     |  |                      |                       |                           |                |                      |
| 3500RT                        | 15890                 | 3000                | 3600                                       | 7500                 | 11000                 | 6.10                      | Optional       | 7600                 |
| <b>TRIDEM RANGE</b>           |                       |                     |  |                      |                       |                           |                |                      |
| Model 4000TRI                 | 18160                 | 2720                | 3400                                       | 9200                 | 11000                 | 6.10                      | Optional       | 7430                 |
| Model 4500TRI                 | 20400                 | 2720                | 3500                                       | 9200                 | 11000                 | 6.10                      | Optional       | 8000                 |
| Model 5000TRI                 | 22700                 | 2720                | 3600                                       | 9200                 | 11000                 | 6.10                      | Optional       | 8850                 |

| Description  | PLY/Load index | Outside Diameter mm | Section Width mm | Pattern |
|--------------|----------------|---------------------|------------------|---------|
| 400Rx22.5R   | 12             | 1020                | 405              | A       |
| 425/65 R22.5 | 165A8          | 1130                | 430              | A       |
| 1300x530-533 | 12             | 1300                | 530              | D       |
| 550/60-22.5  | 12             | 1240                | 550              | A       |
| 560/60-22.5  | 161E           | 1240                | 560              | B       |
| 600/55-26.5  | 12             | 1333                | 611              | B, E    |
| 650/55-22.5  | 169D           | 1389                | 645              | B       |
| 21.3x24      | 10             | 1400                | 540              | C       |
| 23.1x18.26   | 12             | 1600                | 590              | C       |
| 710/50R 26.5 | 170D           | 1383                | 687              | B, F    |
| 28.1x26      | 12             | 1735                | 750              | C       |
| 30.5LR32     | 12             | 1820                | 775              | C       |
| 30.5R32      | 172A8          | 1830                | 775              | C       |



PATTERN A PATTERN B PATTERN C PATTERN D PATTERN E PATTERN F



PHONE +353 67 31278 | FAX +353 67 33229 | INFO@ABBEYMACHINERY.COM  
WWW.ABBEYMACHINERY.COM



STABILITY  
COMFORT

DESIGNED AND  
MANUFACTURED  
BY ABBEY



TRUSTED BY  
GENERATIONS

ABBEY TANKER RANGE

ABBEY MACHINERY LTD., WELL ROAD, NENAGH, CO. TIPPERARY, IRELAND  
PHONE 067 31278 | FAX 067 33229 | INFO@ABBEYMACHINERY.COM  
WWW.ABBEYMACHINERY.COM





## ABBEY TANKER RANGE

Abbey Machinery is one of the largest and longest established manufacturers of slurry handling equipment in Europe.

A combination of over 65 years experience and the latest hi-tech manufacturing facilities ensure optimum levels of performance and reliability. Abbey tankers meet the highest standards required by today's operators. All Abbey machines are manufactured using the highest quality components ensuring years of efficient service.



The **Abbey Standard Tanker** ranges in sizes from 900 - 2000 gallons.

**Abbey Open Top Tanker** is a popular choice among many users. The machine delivers slurry via a PTO driven impellor through a swan neck and a splash plate distributes it evenly. Sizes ranges from 1100 - 2500 gallons.



The **Abbey ECO Recess Tanker** range is available in two sizes, 1600 and 2000 gallons. This ECO range compliments the Recess Tanker Range while still keeping Abbey's principles of being robust and reliable as well as delivering a top level performance against any other tanker in its class on today's market. This tank is complete with 28.1 LGP wheels, sprung drawbar with parabolic leaf spring and complete chassis support.

All Abbey Tankers are equipped with **Battioni Pumps** which have a worldwide reputation for high performance and reliability. PTO drive is standard with hydraulic drive optional in a range of sizes from 9000 - 13500 litres. Safety changeover handles and pressure relief valves are standard on all pumps.

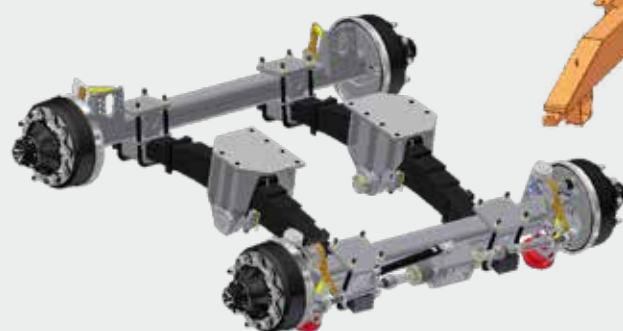


**LEADING THE WAY  
IN SLURRY HANDLING  
EQUIPMENT**

All Abbey Tankers are fitted with the highly acclaimed variable width low trajectory **Splash Plate** which ensures a low co-efficient of variation. This results in a reduced odour level while achieving a uniform spread pattern and enhancing grass growth.



**Abbey Tandem Tankers** are fitted with a robust self-steering multi-leaf spring bogey. This unit provides optimum weight distribution and improved levels of stability and comfort while enhancing the tankers manoeuvrability. Sizes ranges from 2000 - 4000 gallons.



The **Parabolic Multi-leaf Weight Sensing Sprung Drawbar System** (standard on some models) provides much smoother travel and reduces transferred stress and shock on both tractor and tanker. The result is a more comfortable working environment for the operator.



Reduced times for filling and spreading are catered for with the **Abbey Dual Turbo Pumping System**. Benefits are a 25% reduction in fill times and 45% reduction in spreading times, and also a 50% increase in spreading width can be achieved. This effective solution on larger capacity Tandem and Tridem Tankers can also be optionally fitted with blades to process some fibrous material.



The specific Abbey Tanker **Full Length Chassis** design is formed to provide zero stress points and a long working life. In the Premium Recess Range the heavy commercial axle is integrated into this chassis dramatically lowering the tankers centre of gravity down in line with stepped axles.



The Abbey unique patented **Double Trap System** is fitted to all Abbey Slurry Tankers ensuring maximum pump protection and maximum filling.

All Abbey Tankers are manufactured using a **collared dish end** which is unique to the Abbey Tanker; these collared dish ends provide increased strength to the vessel through the 45mm collar support to both ends of the cylinder.



The **Abbey Centivac System** adds an extra dimension of versatility to your Abbey Super Tanker. This high output unit allows application of slurries from roadways onto fields where travel is not possible due to ground conditions. The swivel rain-gun can be rotated 360 degrees giving infinite directional distribution.



The **Abbey Centivac System** is popular for pumping slurry to umbilical attachments in the field. Uncoupling can easily be achieved through the use of a DCI Arm (automatic tanker coupling).

**DESIGNED AND  
MANUFACTURED  
BY ABBEY**



**Abbey Tridem Tanker** Forced Steering is available as a preferred option for better control on tridem tankers providing positive steering in both forward and reverse. Size range from 4000 - 5000 gallons.

